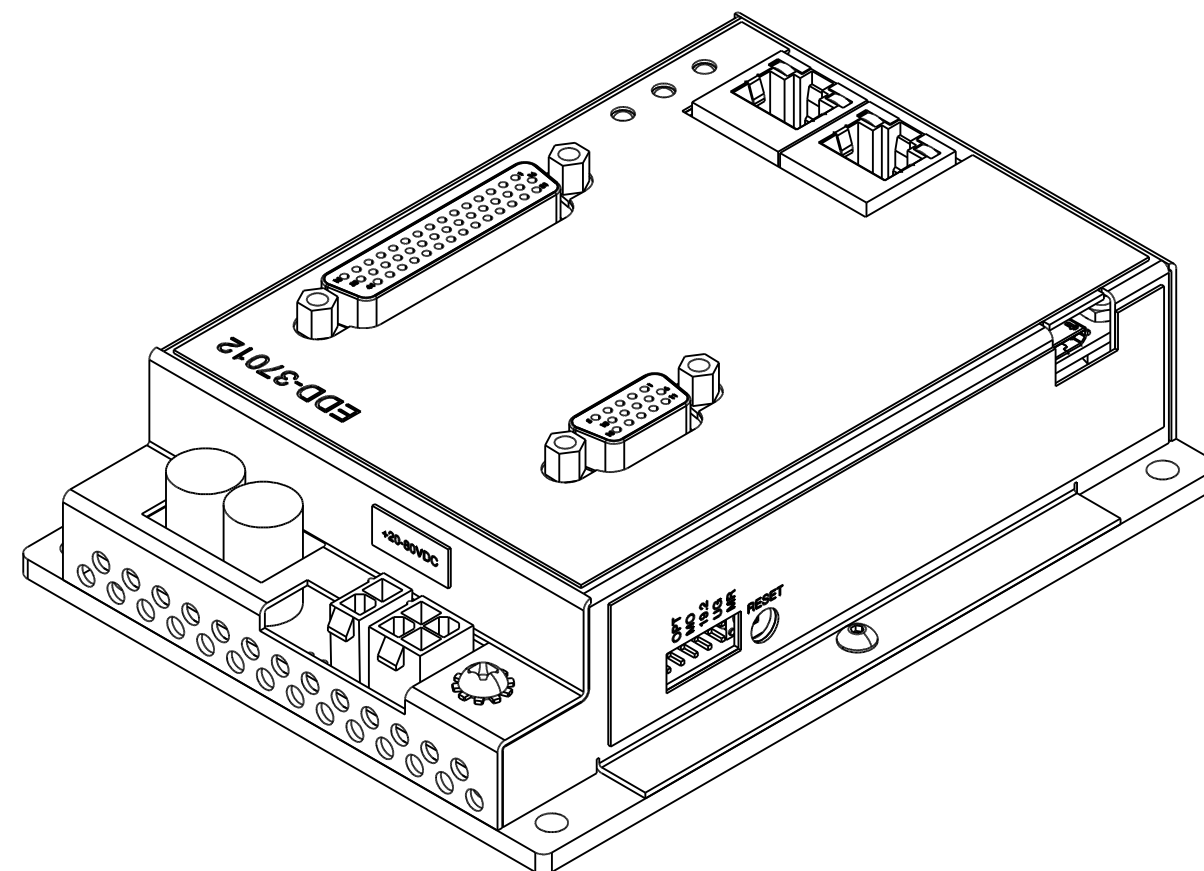
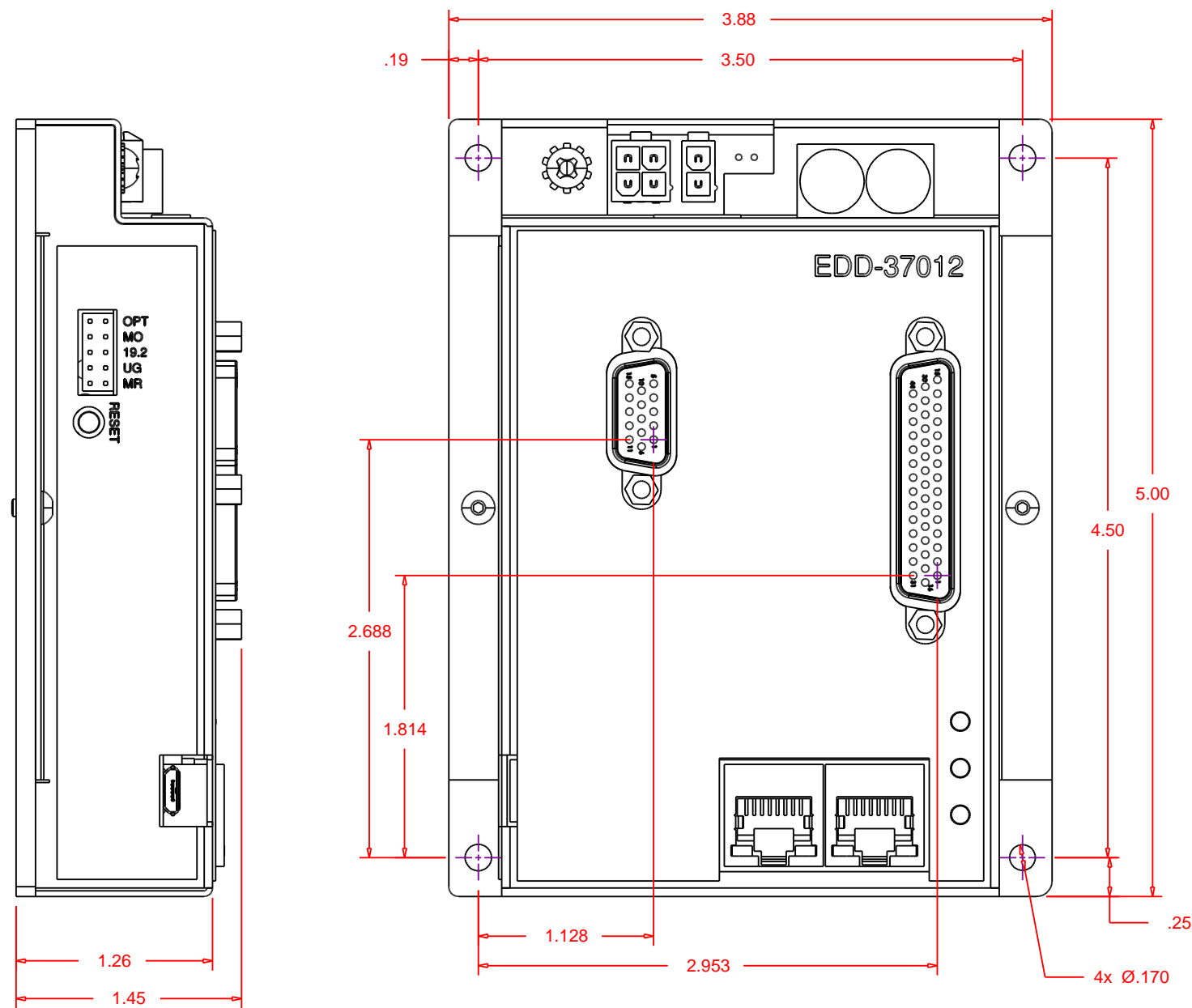


REV	DESCRIPTION	DATE
01	INITIAL RELEASE	11/07/17
.	.	.
.	.	.



UNLESS OTHERWISE SPECIFIED: DIMENSIONS ARE IN INCHES		GALIL MOTION CONTROL	
TOLERANCES ARE: .XX ±0.025 .XXX ±0.015		270 TECHNOLOGY WAY ROCKLIN, CA 95765 (916) 626-0101	
MATERIAL:	N/A	TITLE DIMENSIONS	
FINISH:	N/A	PART NUMBER EDD-37012	REV 01
		SCALE: 1 = 1	SHEET: 1 OF 1

